

GROVE

LUFTHEIZGERÄT
AIR HEATING APPLIANCE

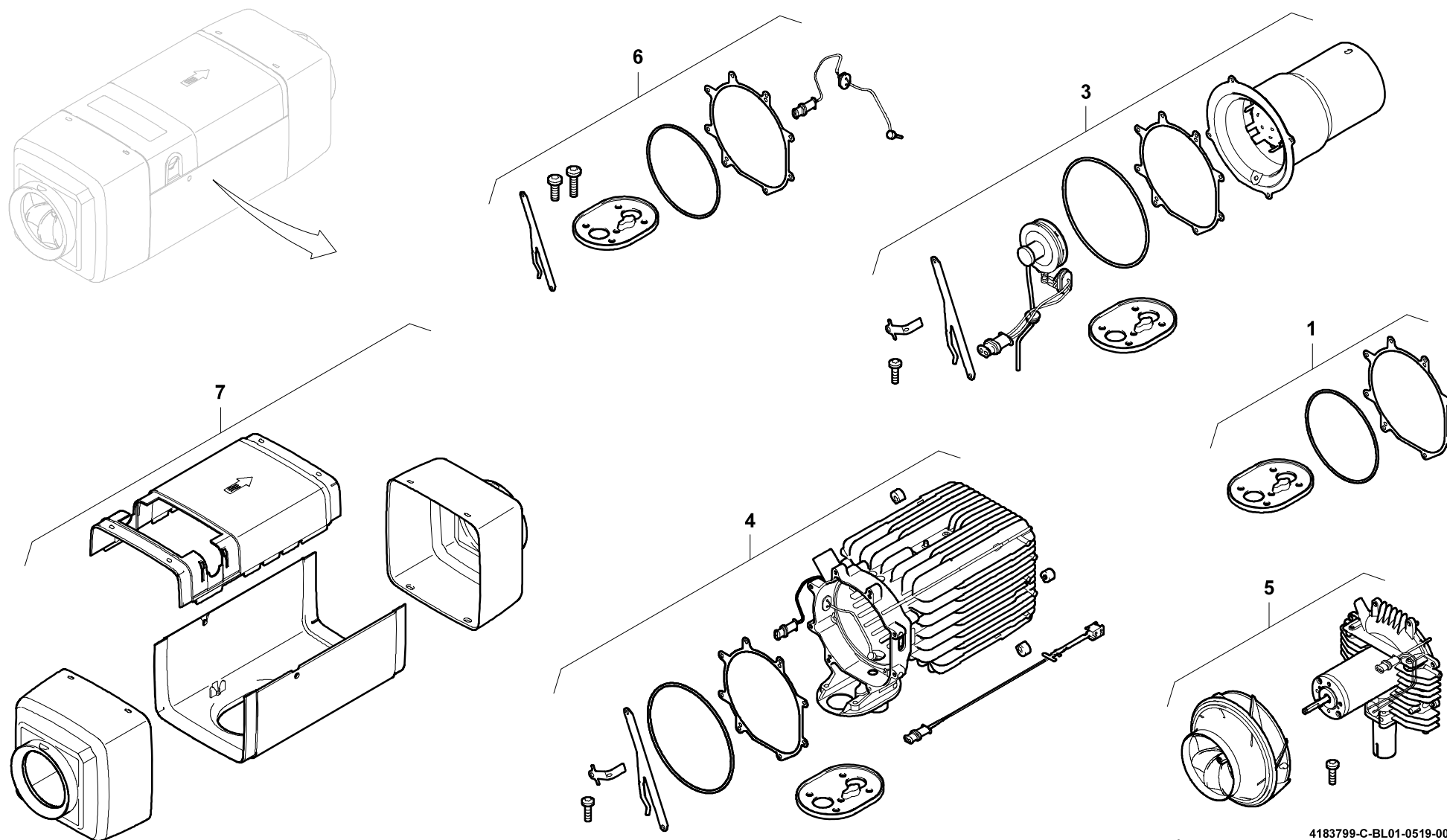
BILDTADEL
PICTORIAL DISPLAY

GMK4080-3

05.19

4183799-ETL C

1/1



4183799-C-BL01-0519-0000